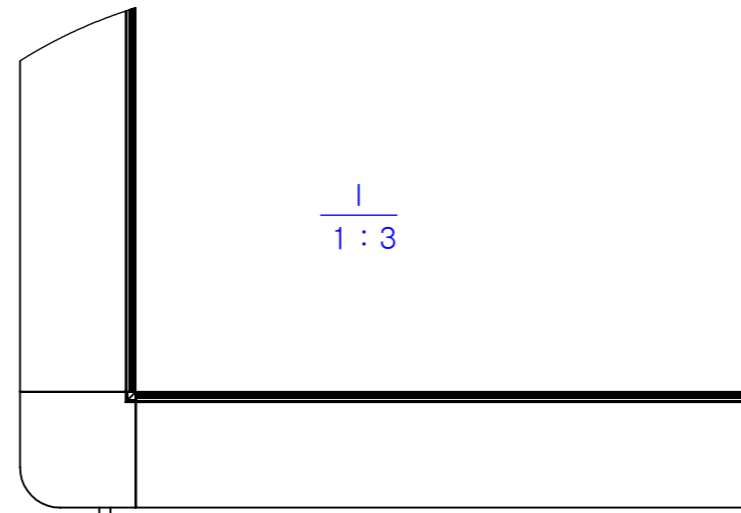
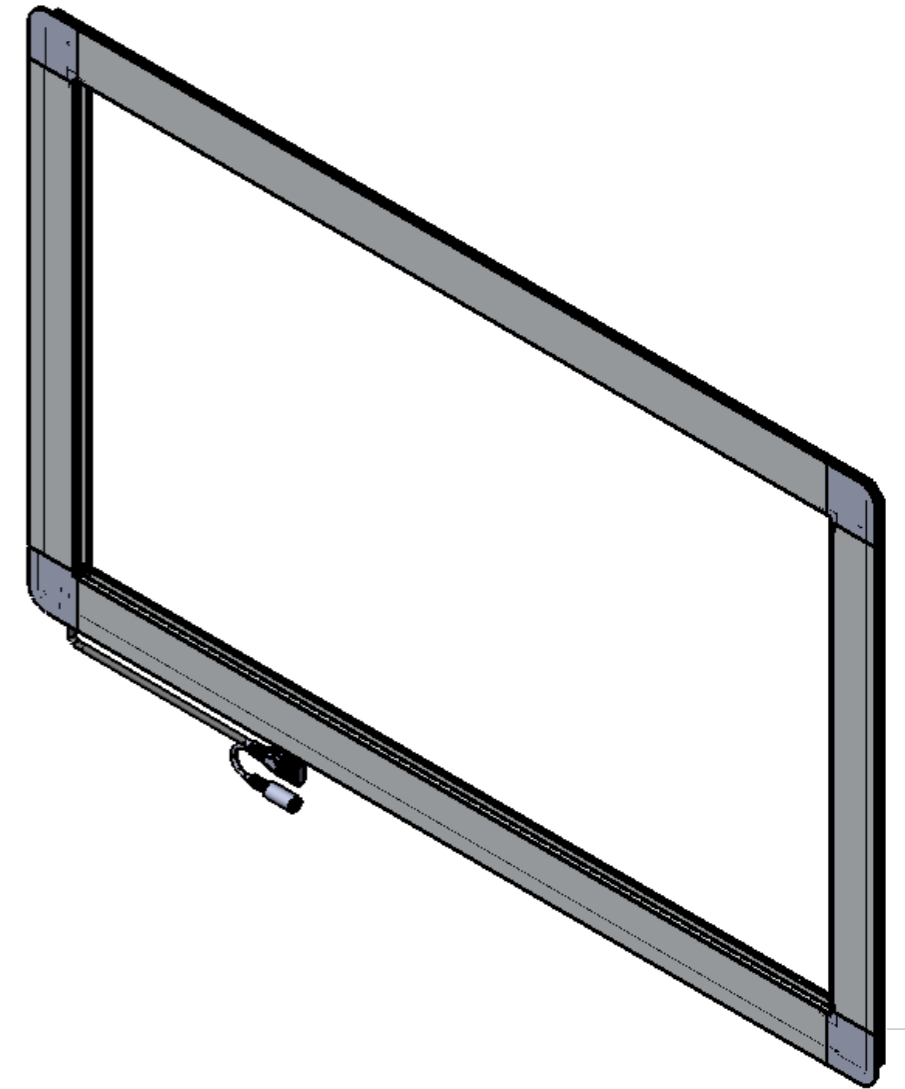
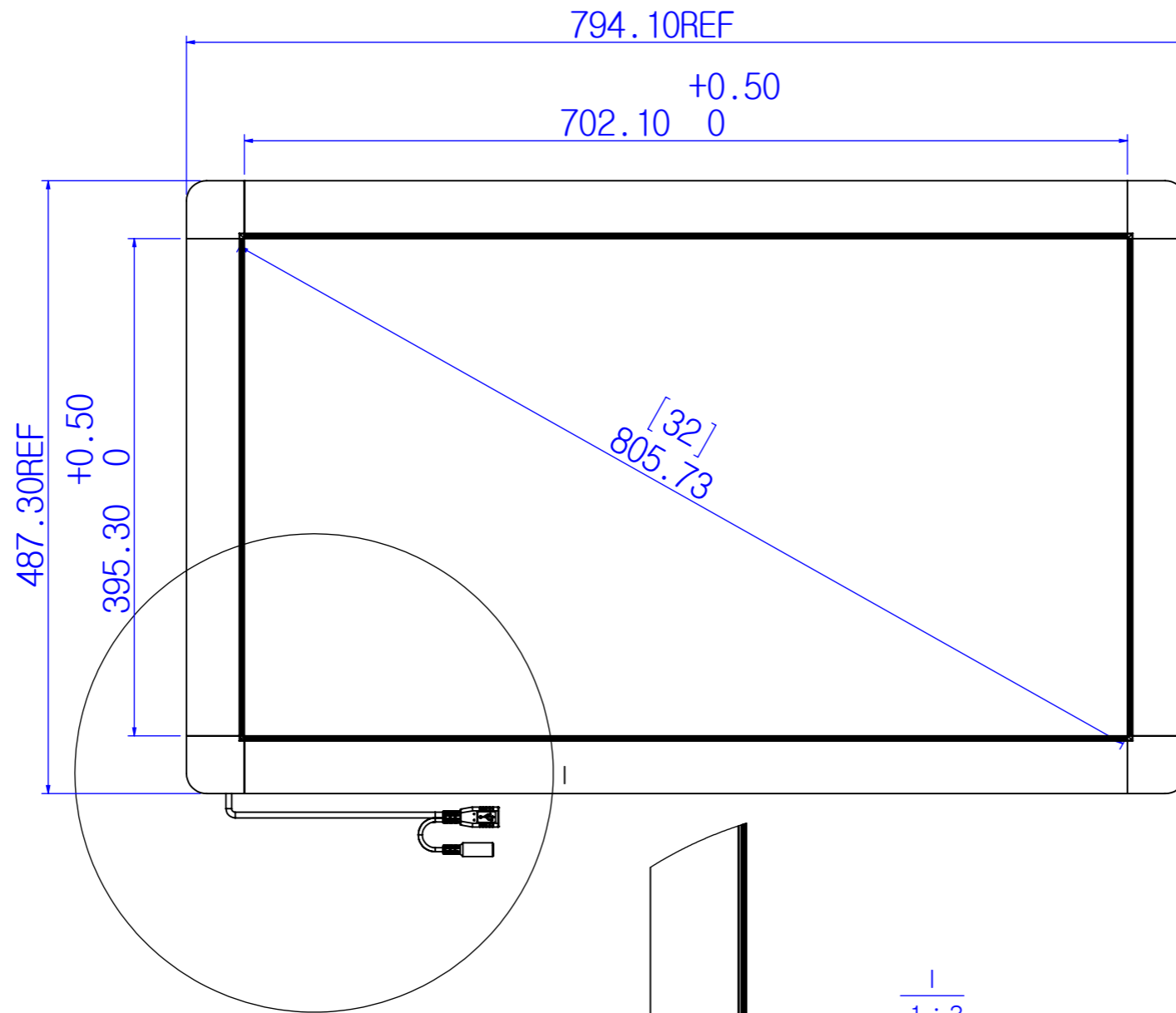


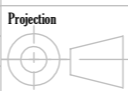
[0.47]
12



Power & Signal Cable 155mm — USB Series "A" Receptacle
 Power Cable 105mm — DC JACK (5V/4A)

Technical Requirements.

Rev.	Date.	Name.	Tolerances.	Qty.	Pos.	Object	Material	Mass	Remarks
			X ± 1					in Kg	Scale 1:10
			XX ± 0.1					Drawn	Dwg. Nr.
			XXX ± 0.05					Released	Nr./sheet
			X* ± 0.2*					Date.	
			ØX ± 0.1						



Title: G3D 32" V2.0
 Part No. Type



This drawing and information here in is the property of PQ Labs, Inc. and is to be used in confidence. It shall not be copied or given to any third party without written permission from PQ Labs, Inc.